

TENTATIVE

SPECIFICATION

Version V0.4

MODEL : YTS - 7002F

DESCRIPTION : FM RECEIVER MODULE

Productor Order Code : YTS-7002FS-2N (IIC (2Wire) TYPE)

Productor Order Code : YTS-7002FS-3N (3 Wire TYPE)

DATE OF ISSUE : DEC. 20. 2005		
Approved	Checked	Issued

YOUNG TECH SYSTEM

906, Hanlim Human Tower, 1-40, Geumjung-Dong
Gunpo-Si, Kyunggi-Do, 430-050, KOREA
TEL : 82-31-429-9515 FAX : 82-31-429-9516

CONTENTS

1. Scope	_____	2/17
2. General Description	_____	2/17
3. Features	_____	2/17
4. General Specification	_____	2/17
5. Standard Test Condition	_____	3/17
6. Electrical Specification	_____	3/17
7. Terminal Interface	_____	4/17
8. Circuit of Measurement	_____	5/17
9. Outline Layout	_____	7/17
10. Application Circuit 1 (2Wire)	_____	8/17
11. Application Circuit 2 (3Wire)	_____	10/17
12. Temperature Condition	_____	12/17
13. Module Marking	_____	12/17
14. Packing Method	_____	15/17
15. Reflow Profile	_____	16/17
16. Revision	_____	17/17

Date	YOUNG TECH SYSTEM	Design	Check	Approval
Dec , 20th, 2004				

1. Scope

This specification is applied to FM Stereo Tuner Module.

2. General Description

The YTS - 7002F is a CMOS ultra-low-power FM stereo radio IC designed for handheld applications.

3. Features

- * Available for preset tuning to receive JAPAN/US / Europe FM band(76 to 108 MHz)
- * RF Automatic Gain Control (AGC) circuit
- * No external IF BPF and discriminator required for FM and less external parts
- * Crystal oscillator operates with a 32.768 KHz
- * Soft muting
- * High Cut Control(HCC) and Stereo Noise Control(SNC)
- * 3-Wired Serial Interface or IIC Bus Interface
- * Alignment-free stereo decoder
- * Standby mode
- * VDD = 2.5 to 3.6 V
- * Low supply current = typ. 7.0 mA

4. General specification

NO	ITEM	Test condition	SPEC				Note
			MIN	TYP	MAX	UNIT	
1	Receiving Frequency	USA/EU/JAPAN BAND	76	—	108	MHz	
2	IF Center Frequency	—	—	375	—	kHz	
3	Ant. Input Impedance	Balanced	—	50	—	Ω	
4	Operating Voltage	DC Supply Voltage	2.5	3.0	3.6	V	
5	Operating Temp.	—	-20	—	+ 60	°C	
6	Supply Current	—	—	7	8.0	mA	
7	Stand-by Current	System Clock = Off	—	—	5.0	μA	

Date	YOUNG TECH SYSTEM	Design	Check	Approval
Dec , 20th, 2004				

SPECIFICATION	PAGE
FM STEREO TUNER MODULE : YTS-7002F	3 / 17

5. Standard Test Condition

NO	ITEM	CONDITION	
		MONO	STEREO
1	Standard Supply Voltage	3.0V±0.1V DC	
2	Temperature	25±2℃	
3	Relative Humidity	65±5%	
4	Audio Filter	Unless designated, Audio Filter should be used	
		HPF : 100 Hz	
		LPF : 15 KHz	
5	Loading at Audio Output	100 kΩ	
6	Internal Clock Frequency	32.768 KHz	
7	Modulation Frequency	1KHz, 22.5KHz/dev	1KHz, 75KHz/dev
		VRF = 1 mV	including 10% pilot
8	Test Frequency	98 MHz	
9	RF Input Level	60 dB _μ V	

6. Electrical Specification

NO	ITEM	Test		SPEC			
		Freq.	CONDITION	MIN	TYP	MAX	UNIT
1	Usable sensitivity	90 MHz	S/N=30dB, Mod.=22.5kHz	—	6	14	dB _μ V
		98 MHz		—	6	14	dB _μ V
		106MHz		—	6	14	dB _μ V
2	S/N Ratio	98 MHz	Mono : 60dBu, Mod.=22.5kHz	40	45	—	dB
		98 MHz	Stereo : 60dBu, Mod.=75kHz	50	60	—	dB
3	Distortion	98 MHz	Mono : 60dBu, Mod.=22.5kHz	—	0.5	1	%
		98 MHz	Stereo : 60dBu, Mod.=75kHz	—	1	3.0	%
4	Limite sensitivity	98 MHz	Mod.=22.5kHz	—	—	20	dB
5	Image Rejection	106 MHz	Mod.=22.5kHz	20	30	—	dB
6	Stereo Separation	98 MHz	Stereo : 60dBu, Mod.=75kHz	20	30	—	dB
7	Overload distortion	98 MHz	Mono : 99dBu, Mod.=75kHz	—	1	3	%
8	AM Suppression	98 MHz	AM 30%	30	—	—	dB
9	CH. Balance	98 MHz	Mono : 60dBu, Mod.=22.5kHz	—	—	2	dB
10	Audio Output	98 MHz	Mono : 60dBu, Mod.=22.5kHz	60	80	100	mVrms

Date	YOUNG TECH SYSTEM	Design	Check	Approval
Dec , 20th, 2004				

7. Terminal Interface

7-1, YTS-7002FS-2N (IIC (2Wire) TYPE

NO	TERMINAL	I/O	Description
1	GND	-	Connect to Ground.
2	STO	O	Status Output
3	ADR	I	Connect to Ground.
4	CLK	I	Serial Clock Input
5	SDA	I	Serial Data Input
6	AUDIO-R	O	Audio R-ch Output
7	AUDIO-L	O	Audio L-ch Output
8	VCC	-	Vcc (3V)
9	ANT	I	RF Input (Connect to Antenna)
10	GND	-	Connect to Ground.

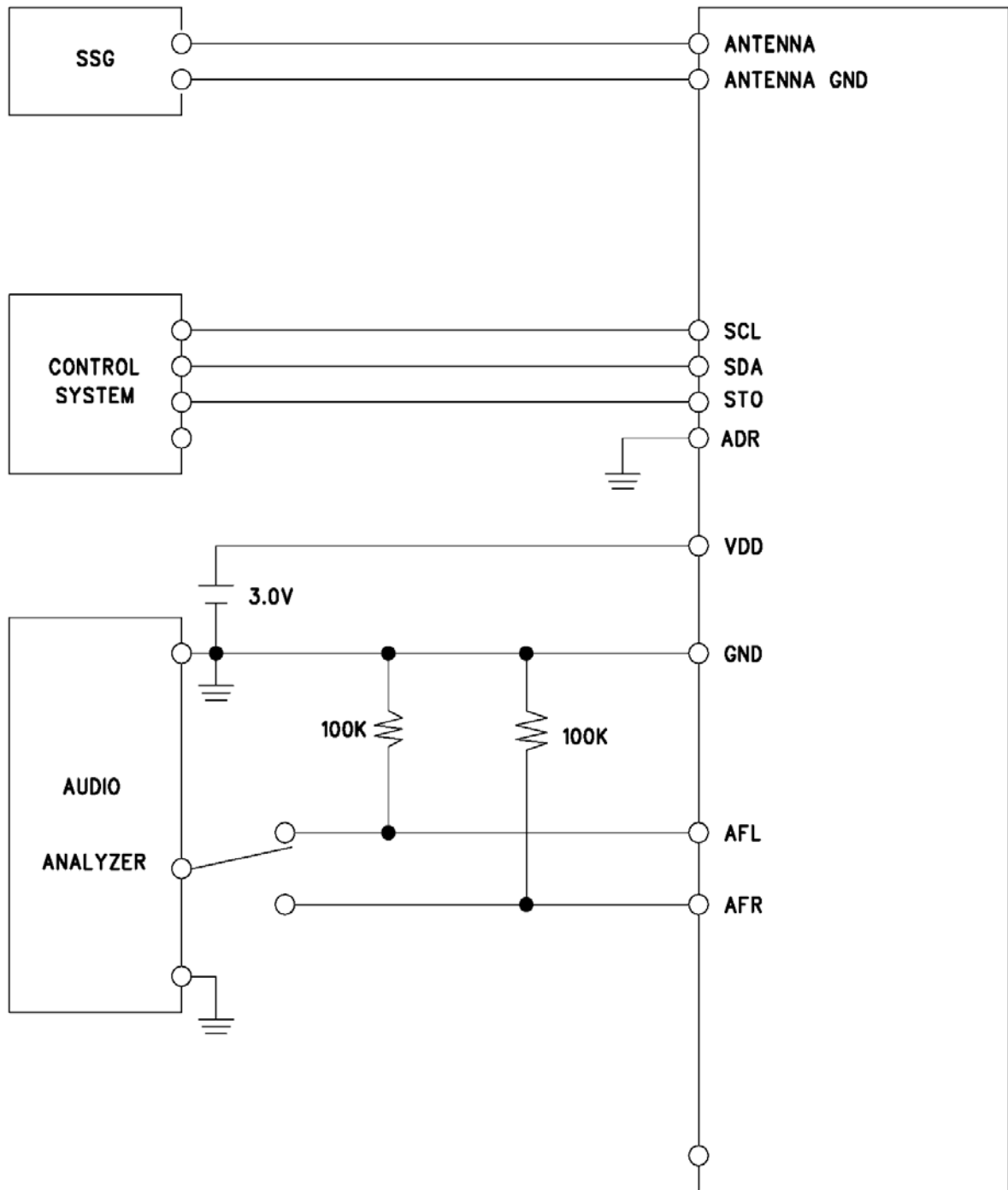
7-2. YTS-7002FS-3N (3 Wire TYPE)

NO	TERMINAL	I/O	Description
1	GND	-	Connect to Ground.
2	STO	O	Status Output
3	ADR	I	Data Latch
4	CLK	I	Serial Clock Input
5	SDA	I	Serial Data Input
6	AUDIO-R	O	Audio R-ch Output
7	AUDIO-L	O	Audio L-ch Output
8	VCC	-	Vcc (3V)
9	ANT	I	RF Input (Connect to Antenna)
10	GND	-	Connect to Ground.

Date	YOUNG TECH SYSTEM	Design	Check	Approval
Dec , 20th, 2004				

8-1. Circuit of Measurement (IIC (2Wire) TYPE)

Measurement circuit

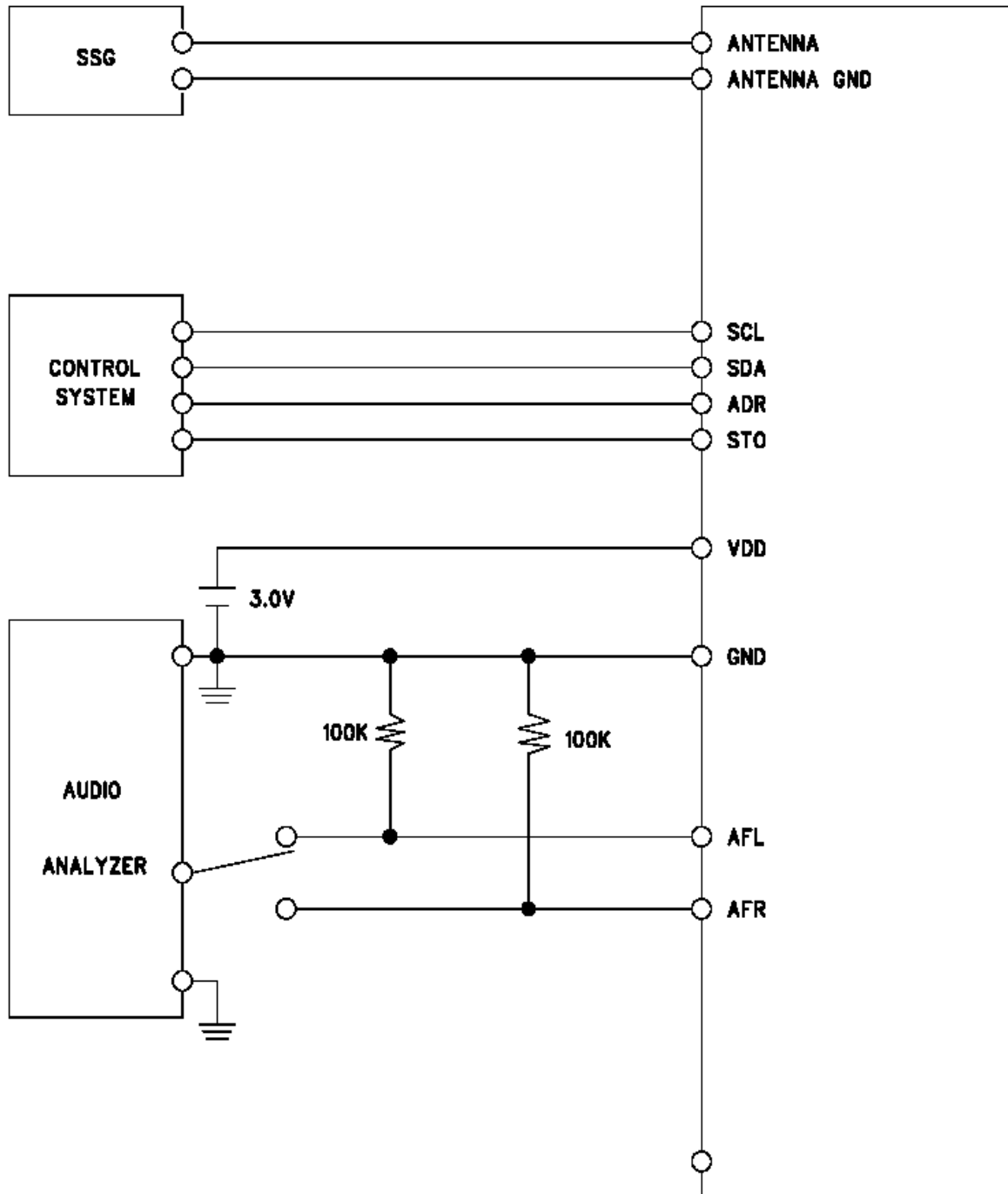


YTS-7002FS-2N

Date	YOUNG TECH SYSTEM	Design	Check	Approval
Dec , 20th, 2004				

8-2. Circuit of Measurement (3Wire TYPE)

Measurement circuit



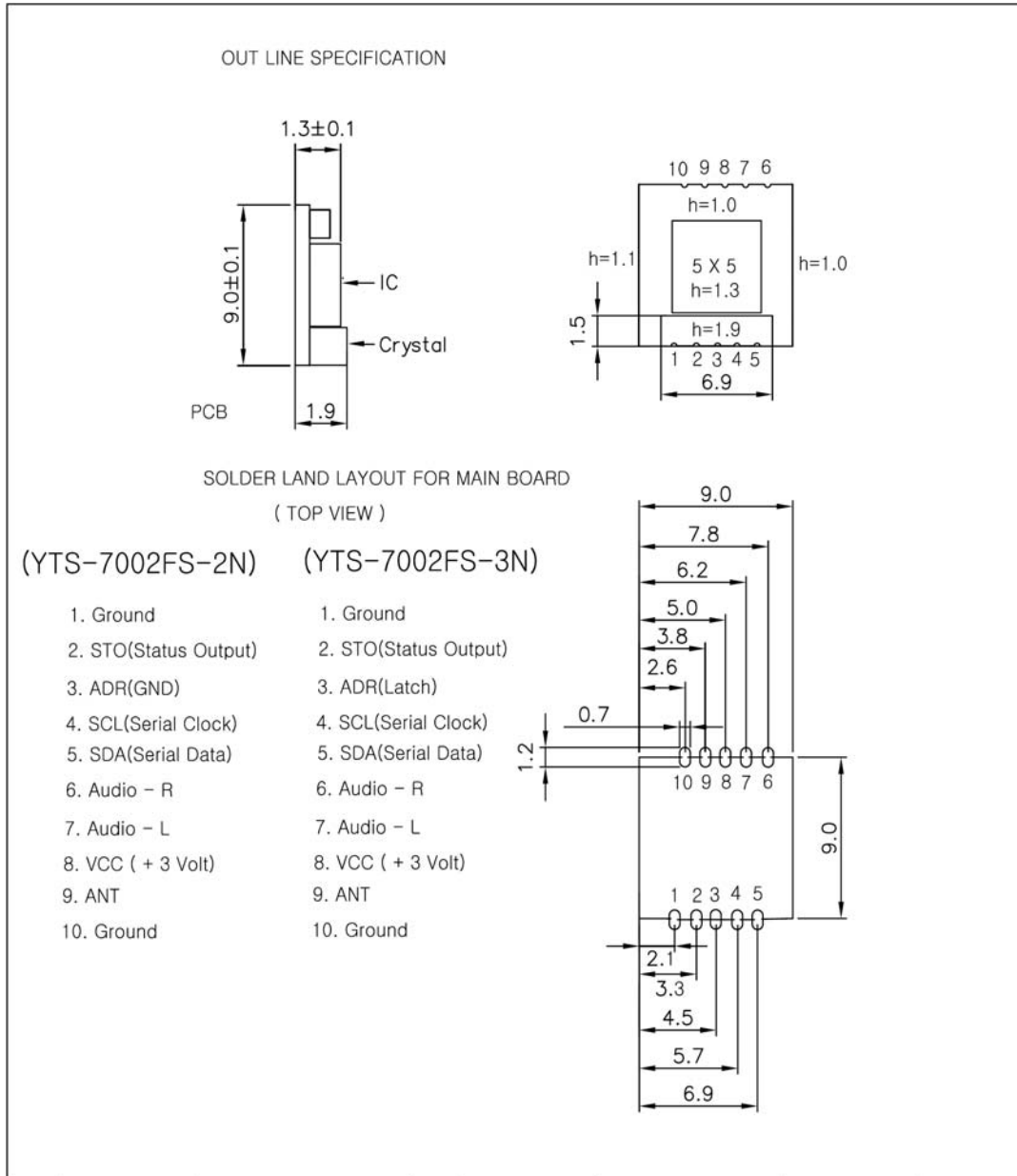
YTS-7002FS-3N

Date
Dec , 20th, 2004

YOUNG TECH SYSTEM

Design	Check	Approval

9. Outline Layout



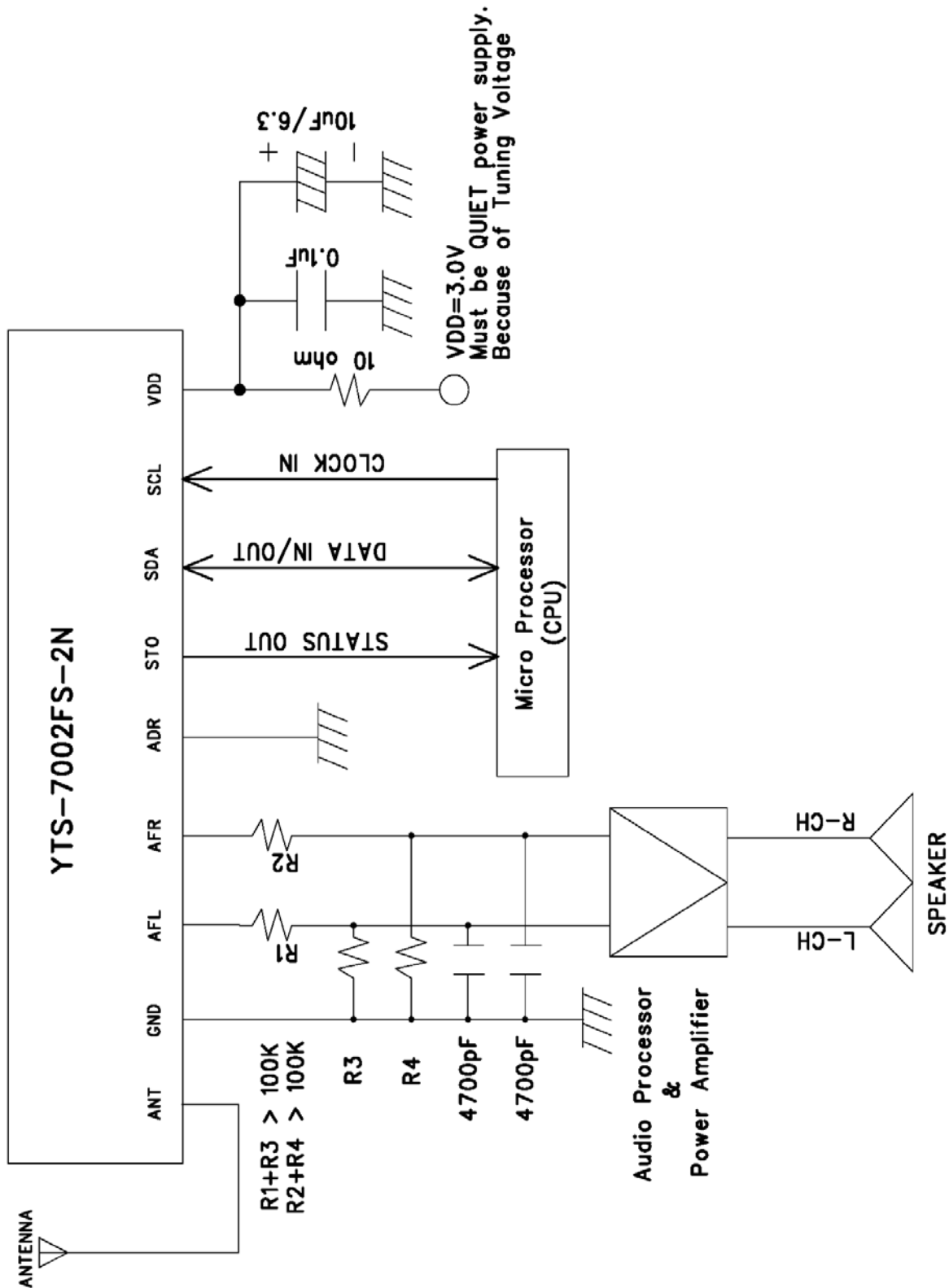
No.	Dwg No.	Parts Name	Q'ty	Material	Surface Treatment	Weight(g)	Remark
TOLERANCE	1	up to 6	± 0.1	Scale	Material	Date	Surface tr. Model.
	7	" 30	± 0.2				
	31	" 120	± 0.3				
	121	" 315	± 0.5	Approved	Title. FM STEREO RADIO MODULE		
	316	" 1000	± 0.8				
Notes				Checked	Designed	Drawn	Dwg no.

Date
Dec , 20th, 2004

YOUNG TECH SYSTEM

Design	Check	Approval

10-1. Application Circuit 1-1 (IIC(2Wire) TYPE)

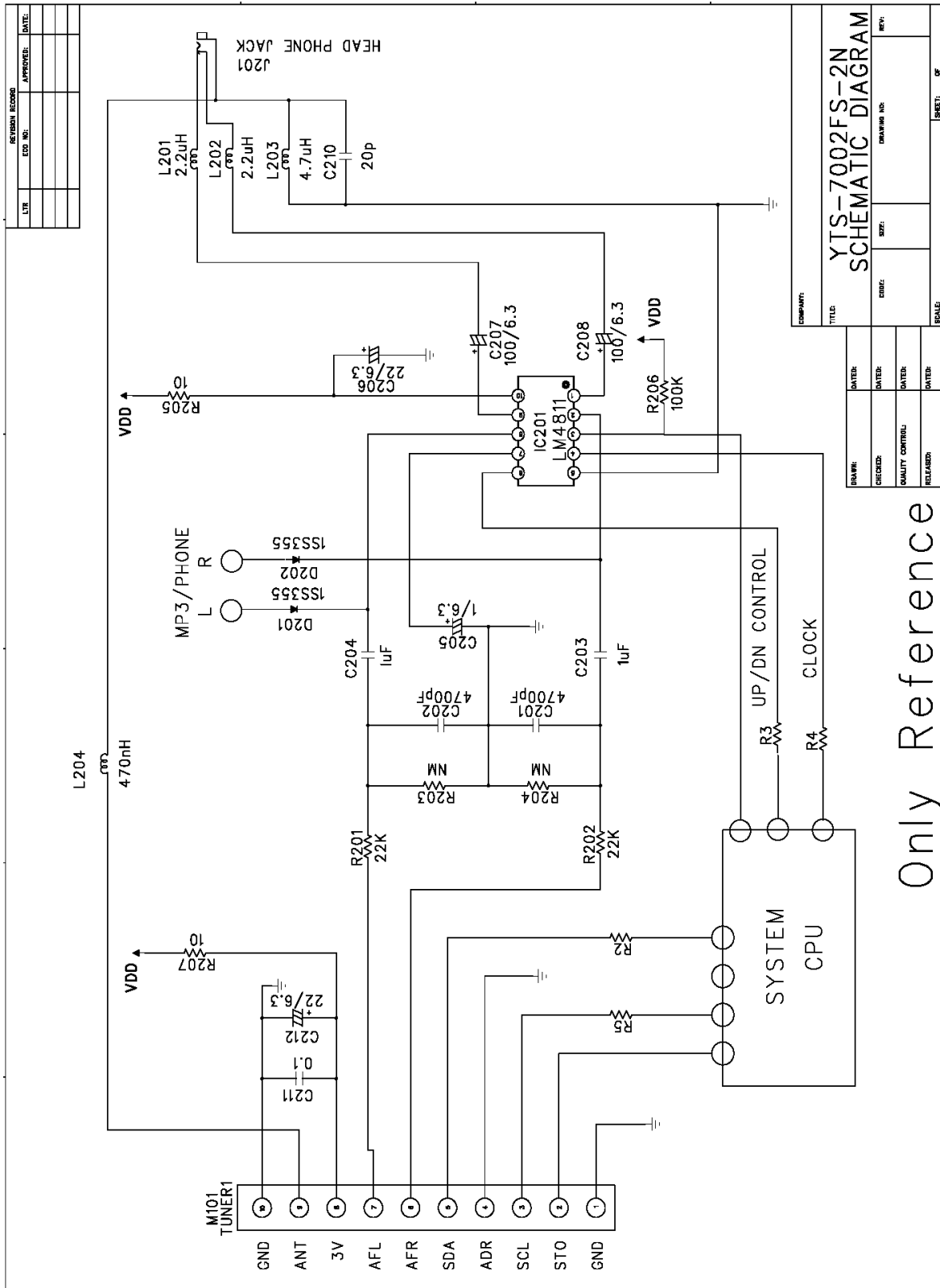


Date
Dec , 20th, 2004

YOUNG TECH SYSTEM

Design	Check	Approval

10-2. Application Circuit 1-2 (IIC(2Wire) TYPE)



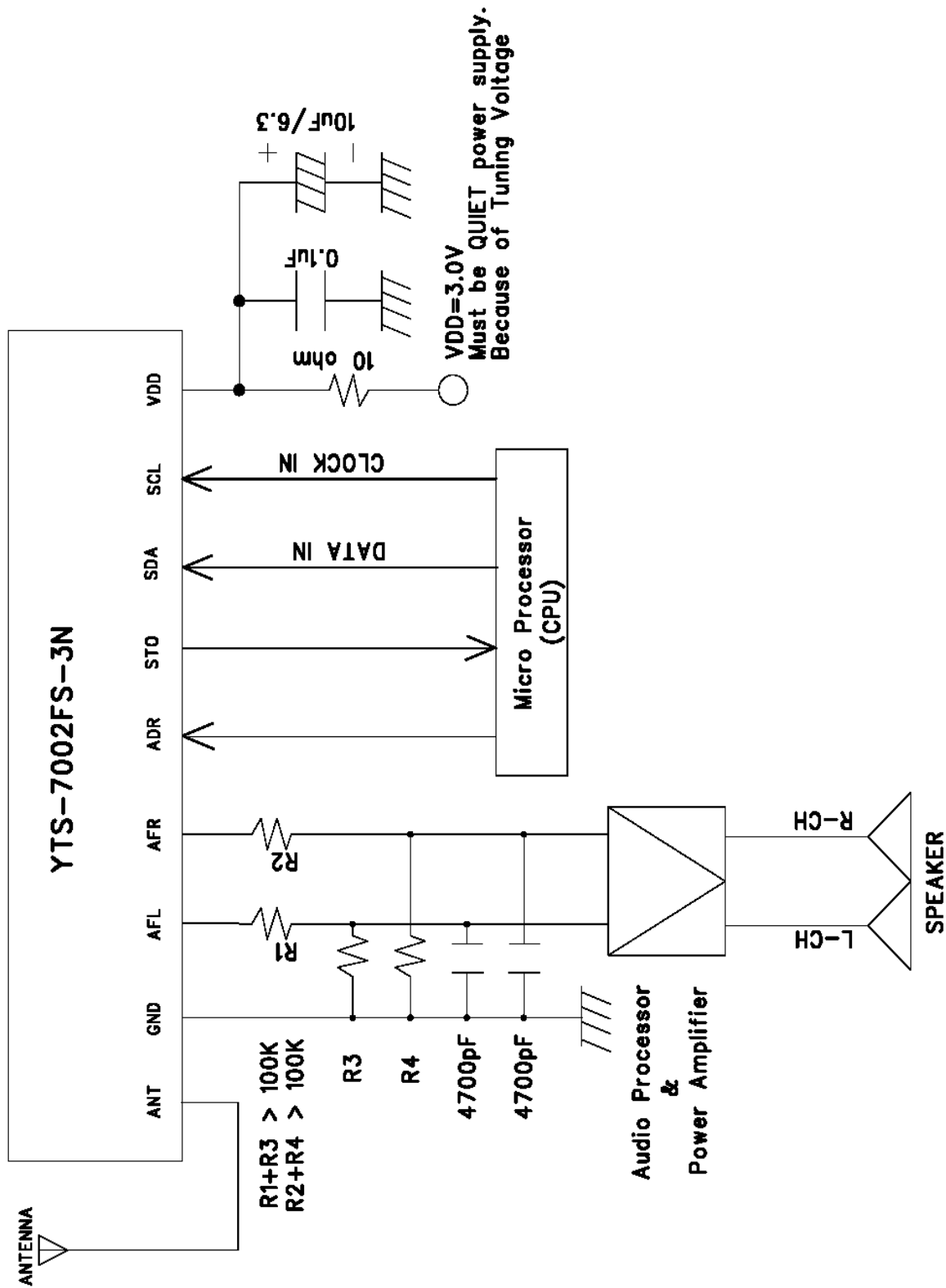
Only Reference

Date
Dec , 20th, 2004

YOUNG TECH SYSTEM

Design	Check	Approval

11-1. Application Circuit 2-1 (3Wire TYPE)



Date

Dec , 20th, 2004

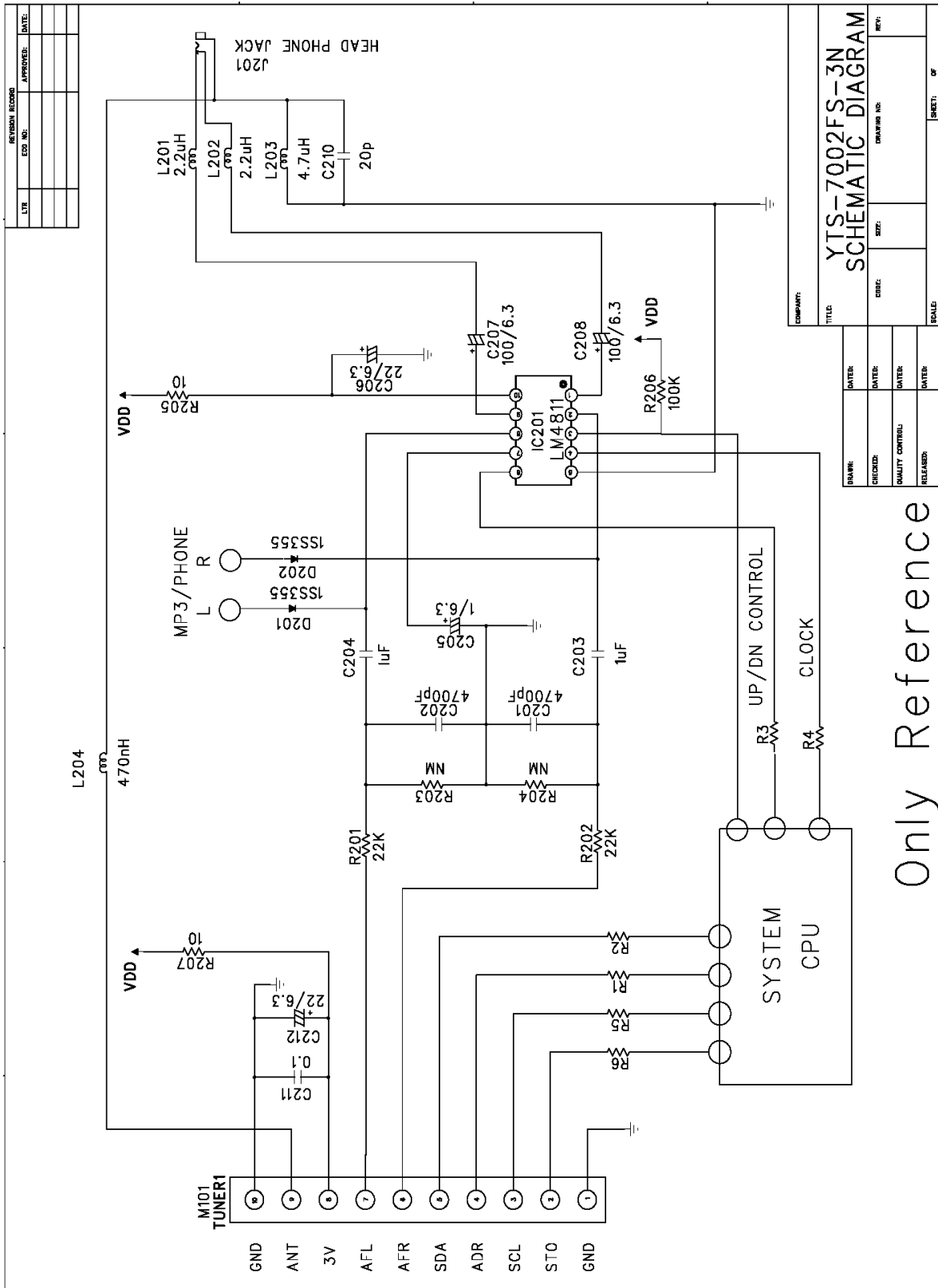
YOUNG TECH SYSTEM

Design

Check

Approval

11-2. Application Circuit 2-2 (3Wire TYPE)



REVISION RECORD	
DATE	APPROVED

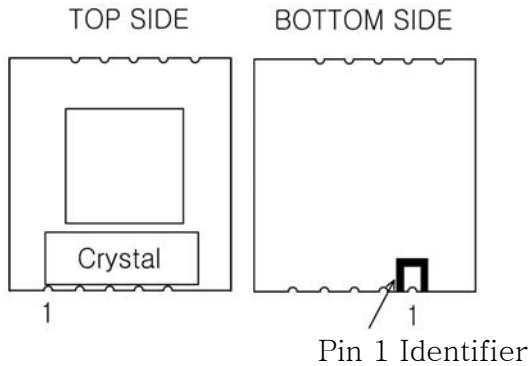
COMPANY:	
TITLE:	YTS-7002FS-3N SCHEMATIC DIAGRAM
DATE:	
DATE:	
DATE:	
DATE:	
SCALE:	
SHEET:	
OF:	

Date	
	Dec , 20th, 2004

YOUNG TECH SYSTEM

Design		Check		Approval	

12. Module Macking



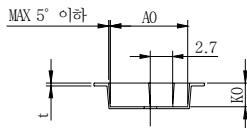
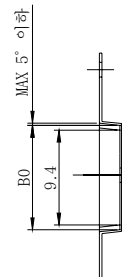
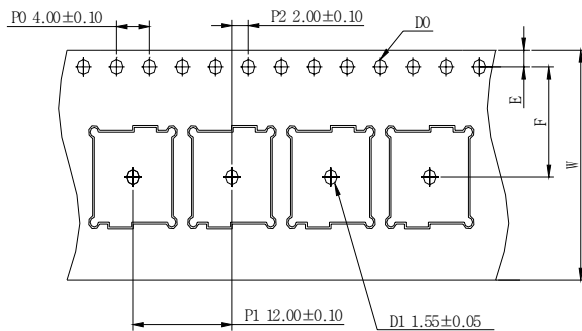
13. Packing Method

13-1. Storage Condition & Time Duration

If stored in reel package, it has a sheif life 6 months provided storage condition 25°C , 60 % RH (relative humidity) or less.

After unpacking it must be soldered to a pcb within 3 months with stored condition 25°C , 60 % RH (relative humidity) or less.

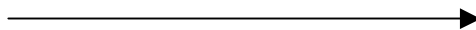
13-2. Reel Demension



Packing Quantity
2000 pcs / reel

A0	9.40±0.10	E	1.75±0.10
B0	10.40±0.10	F	11.50±0.10
K0	2.50±0.10	t	0.30±0.05
D0	1.55±0.05	w	24.00±0.30

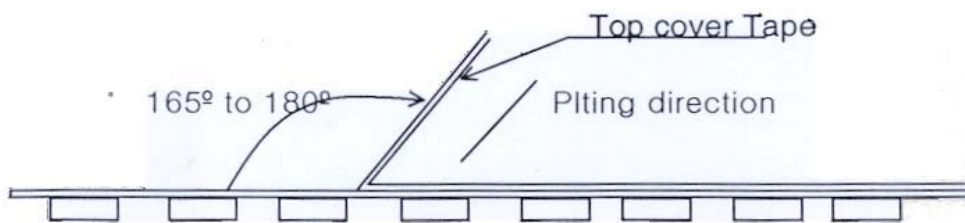
Leading direction



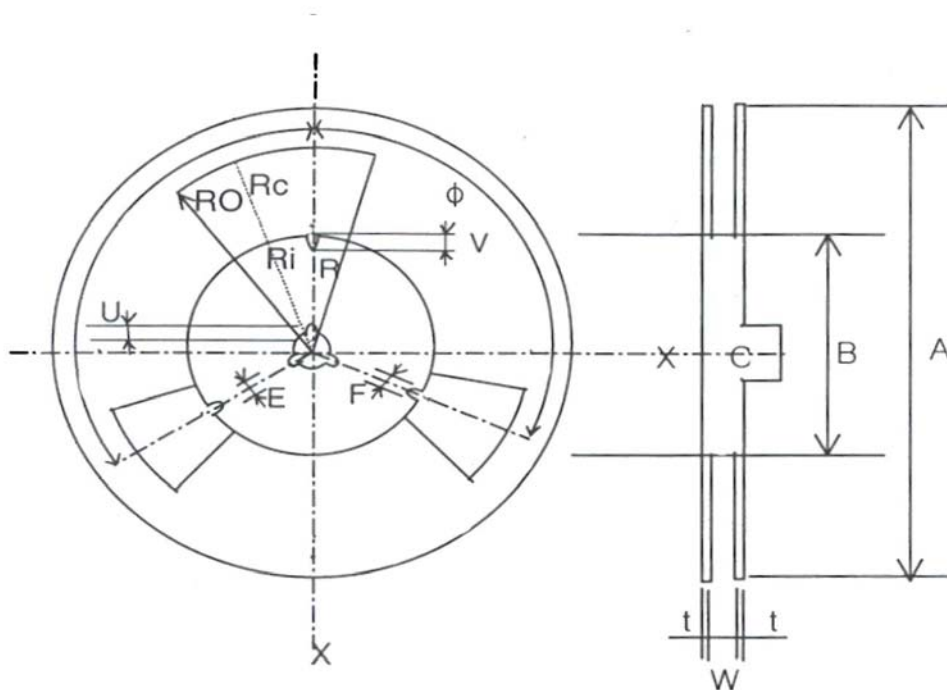
Unit : m/m

13-3. Release strength of Cover Tape

It has to be between 0.1 to 0.7 N under following condition
 Pulling Direction : 165 ° to 180 °
 Speed : 300 mm/min
 Otherwise unless specified



13-4. Dimensions of tape reel and marking



SPECIFICATION

PAGE

FM STEREO TUNER MODULE : YTS-7002F

14 / 17

Item		Mark	Dimension angle	
Plange	Diameter	A	$\Phi 330$	
	Thickness	T	2.0 ± 0.2	
	Width between flanges	W	$12 : +0.8$	
Center Core	Out line diameter	B	$\Phi 98 \pm 1$	
	Center Core Slit	Width	F	4 ± 1
		Deep	V	28 ± 1
		Position	Φ	$120^\circ \pm 30^\circ$
	Spindle diameter	C	$\Phi 25 \pm 0.5$	
	Key Seats	Width	E	$2.4 + 0.1, -0$
		Deep	U	4.0 ± 1
Position		Φ	$120^\circ \pm 30^\circ$	
Penestra	Out line radius	Ro	$R142 \pm 1$	
	In line radius	Ri	$R50 \pm 1$	
	Rounded corners	Rc	R92	
	Open angle	R	$60^\circ \pm 2^\circ$	

Indication of type : Sticker Lable on one side of flange

13-5. Level Discription

<p>YOUNG TECH SYSTEM</p> <p align="right">DATE : yy/mm/dd</p> <p>PO :</p> <p>PN :</p> <p>MODEL : YTS-7002F</p> <p>Q'TY : 2,000 LOT : XXXX</p>

DATE : Production Date Code

PO : Production Order Code

PN : Production Number (ex, YTS-7002FS-2N (IIC), YTS-7002FS-3N(3Wire))

Q'TY : 2000pcs : 1Reel Standard Quantity

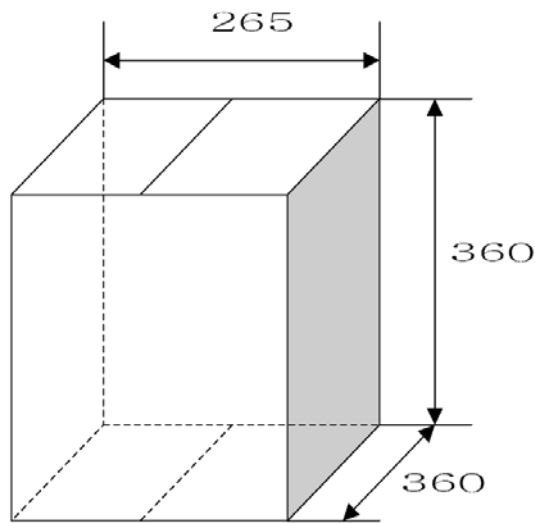
LOT : Lot number code

13-6. Box Dimension

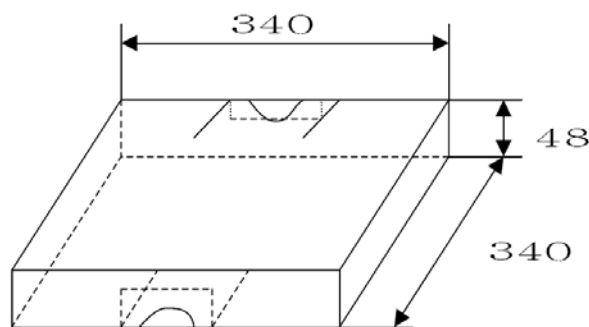
Unit : mm

REEL QUANTITY	ASSORTMENT	W	D	H	
	Inner Box	340	340	48	
1 to 5	Shipping Box	265	360	360	

1] OUT BOX (IN BOX 5EA)



2] IN BOX (REEL 1EA)



Date

Dec , 20th, 2004

YOUNG TECH SYSTEM

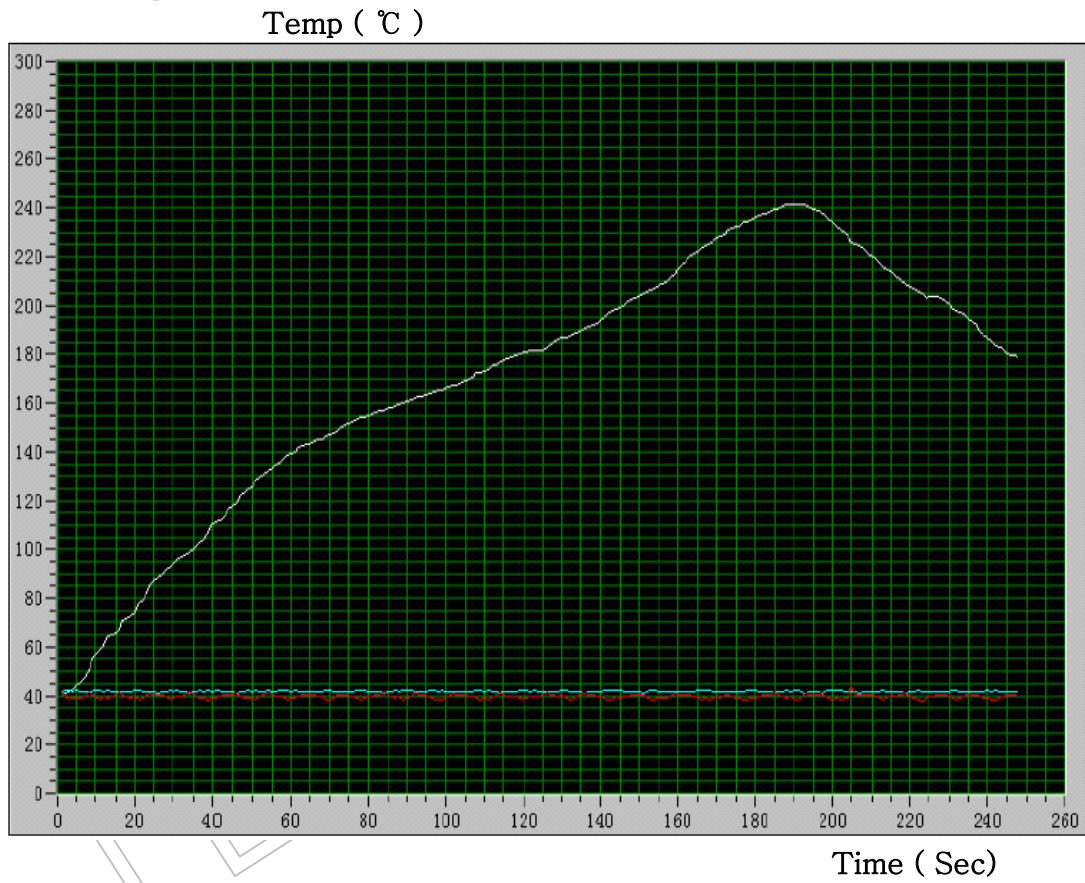
Design

Check

Approval

14. Reflow Profile

14-1. Graph



14-2. Specification

SUBJECT	REQUIREMENTS	ACTUAL VALUE
Ramp Rate Normal to 180 °C	3 °C/Sec Max	1.3 °C/Sec
Preheat Temperature 160 °C	80 ± 15 Sec	70 Sec
Temperature Maintained aboce 200 °C	50 - 60 Sec	50 Sec
Peak Temperature Range	240 - 250 °C	240 °C

Date	YOUNG TECH SYSTEM	Design	Check	Approval
Dec , 20th, 2004				

